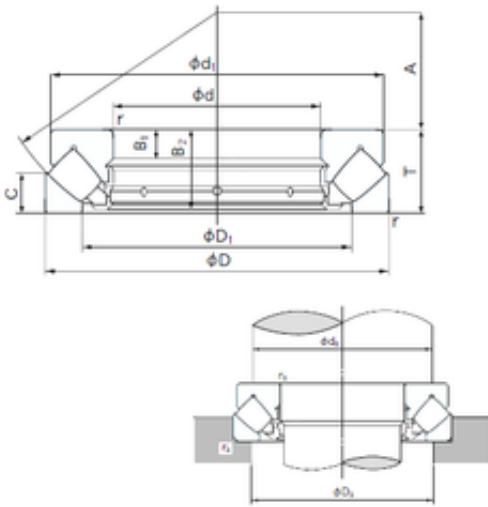




BEARING CORP.OF CANADA LTD.

420 mm x 650 mm x 48 mm NACHI 29384E Thrust roller bearings

Bearing No. 29384E



29384E Bearing 2D drawings and 3D CAD models

Size	420x650x140 mm
Bore Diameter	420 mm
Outer Diameter	650 mm
Width	140 mm
d	420 mm
D	650 mm
T	140 mm
d1	626 mm
r min.	6 mm
A	235 mm
B1	48 mm
B2	135 mm
C	68 mm
D1	520 mm
da min.	525 mm
Da max.	575 mm
ra max.	5 mm
Weight	170 Kg
Basic dynamic load rating (C)	3900 kN
Basic static load rating (C0)	17900 kN
Bore Type	Cylindrical Bore
Enclosure	Open
Configuration	Single Row
Bore Size	420 mm
Outside Diameter	650 mm



BEARING CORP.OF CANADA LTD.

Fillet Radius/Chamfer	6 mm
Width	140 mm
Dynamic Load Rating	3,900,000 N
Static Load Rating	17,900,000 N
Limiting Speed - Oil	480 rpm
B	48 mm
da (min)	525 mm
Da (max)	575 mm
ra (max)	5 mm