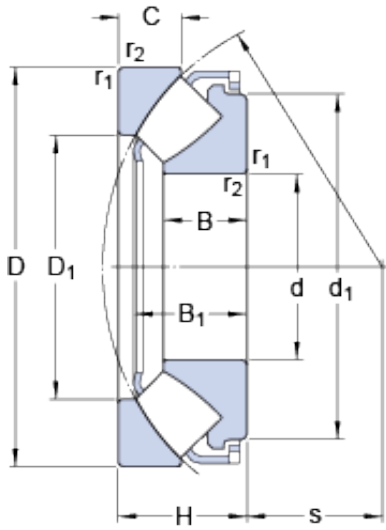




BEARING CORP.OF CANADA LTD.



29468 E Bearing 2D drawings and 3D CAD models

340 mm x 620 mm x 112 mm SKF 29468 E Thrust roller bearings

Bearing No. 29468 E

Size	620x340x170 mm
Bore Diameter	620 mm
Outer Diameter	340 mm
Width	170 mm
d	340 mm
D	620 mm
H	170 mm
d ₁	557 mm
D ₁	445 mm
B	112 mm
B ₁	151.4 mm
C	84 mm
s	201 mm
r _{1,2} - min.	7.5 mm
d _a - min.	475 mm
d _{b1} - max.	363 mm
d _{b2} - max.	386 mm
D _a - max.	530 mm
r _a - max.	6 mm
Basic dynamic load rating - C	6700 kN
Basic static load rating - C ₀	22400 kN
Fatigue load limit - P _u	1760 kN
Reference speed	560 r/min
Limiting speed	1000 r/min



BEARING CORP.OF CANADA LTD.

Factor min. axial load - A	46
Category	Thrust Roller Bearing
Inventory	0.0
Manufacturer Name	SKF
Minimum Buy Quantity	N/A
Weight / Kilogram	235.812
Product Group	B04311
Rolling Element	Spherical Roller Bearing
Self Aligning	Yes
Component Description	Roller Assembly plus Raceways
Thrust Bearing	Yes
Single or Double Direction	Single Direction
Banded	No
Cage Material	Steel
Precision Class	ABEC 1 ISO P0
Other Features	Single Row Window Type Cage
Long Description	340MM Bore 1; 445MM Bore 2; 620MM Outside Diameter; 170MM Height; Spherical Roller Bearing; Single Direction; Self Aligning; Not Banded; Steel Cage; ABEC 1 ISO P0; Roller Assembly plus Raceways
Inch - Metric	Metric
Category	Thrust Roller Bearings
UNSPSC	31171507
Harmonized Tariff Code	8482.30.00.40
Noun	Bearing
Keyword 3	Spherical
Keyword String	Thrust Roller Spherical
Manufacturer URL	http://www.skf.com



BEARING CORP.OF CANADA LTD.

Manufacturer Item Number	29468 E
Weight / LBS	485.017
Bore 1	13.386 Inch 340 Millimeter
Bore 2	17.52 Inch 445 Millimeter
Outside Diameter	24.409 Inch 620 Millimeter
Height	6.693 Inch 170 Millimeter
Overall Height with Aligning Washer	0 Inch 0 Millimeter
bore diameter:	340 mm
operating temperature range:	Maximum of +392 ° F
outside diameter:	620 mm
maximum rpm:	1000 RPM
overall width:	170 mm
separable type:	Non-Separable
cage material:	Steel
fillet radius:	6 mm
static load capacity:	22400 kN
series:	294
dynamic load capacity:	6700 kN
d_1	557 mm
D_1	445 mm
B_1	151.4 mm
$r_{1,2}$ min.	7.5 mm
d_a min.	475 mm
d_{b1} max.	363 mm
d_{b2} max.	386 mm
D_a max.	530 mm
r_a max.	6 mm
Basic dynamic load rating C	6700 kN
Basic static load rating C_0	22400 kN
Fatigue load limit P_u	1760 kN
Minimum axial load factor	46



BEARING CORP.OF CANADA LTD.

A	
Mass bearing	220 kg