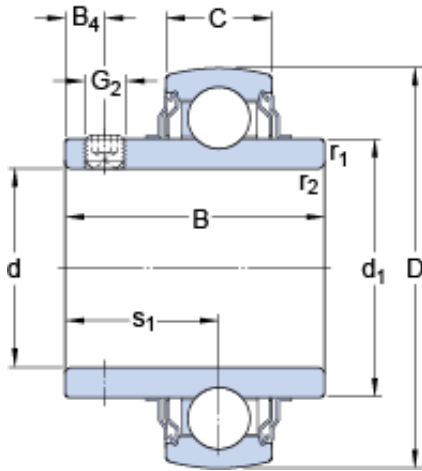




# BEARING CORP.OF CANADA LTD.



74.613 mm x 130 mm x 73.3 mm SKF YAR  
215-215-2FW/VA228 Deep groove ball bearings

Bearing No. YAR 215-215-2FW/VA228

YAR 215-215-2FW/VA228 Bearing 2D drawings and 3D  
CAD models

Size	130x74.613x73.3 mm
Bore Diameter	130 mm
Outer Diameter	74,613 mm
Width	73,3 mm
d	74.613 mm
D	130 mm
B	73.3 mm
C	29 mm
d <sub>1</sub>	92.05 mm
B <sub>4</sub>	12 mm
s <sub>1</sub>	46.3 mm
r <sub>1,2</sub> - min.	1.5 mm
Basic dynamic load rating - C	66.3 kN
Basic static load rating - C <sub>0</sub>	49 kN
Limiting speed	80 r/min
Limiting temperature - T	350 ° C
Mass bearing	2.2 kg
Grub (set) screw - G <sub>2</sub> - 7/16-20 UNF	7/1620 UNF
Hexagonal key size for grub screw - H	5.556 mm
Category	Bearings
Inventory	0.0
Manufacturer Name	SKF
Minimum Buy Quantity	N/A



## BEARING CORP.OF CANADA LTD.

Weight / Kilogram	0
Product Group	M06110
$d_1$	92.05 mm
$B_4$	12 mm
$s_1$	46.3 mm
$r_{1,2}$ min.	1.5 mm
Basic dynamic load rating C	66.3 kN
Basic static load rating $C_0$	49 kN
Limiting temperature T max.	350 ° C
Grub (set) screw $G_2$	7/16-20 UNF
Hexagonal key size for grub screw N	5.556 mm
Recommended tightening torque for grub screw	28.5 N · m