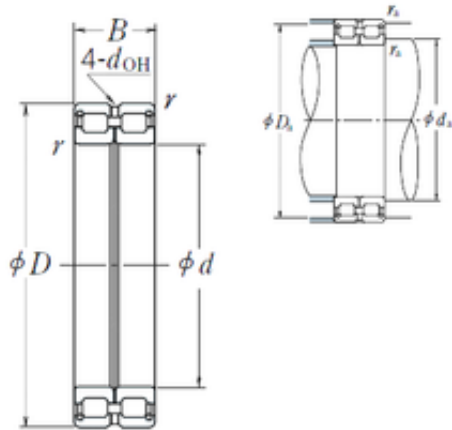




# BEARING CORP.OF CANADA LTD.

## 300 mm x 420 mm x 118 mm NSK RS-4960E4 Cylindrical roller bearings



Bearing No. RS-4960E4

RS-4960E4 Bearing 2D drawings and 3D CAD models

Size	300x420x118 mm
Bore Diameter	300 mm
Outer Diameter	420 mm
Width	118 mm
d	300 mm
D	420 mm
B	118 mm
C	118 mm
r min.	3 mm
da min.	313 mm
Da max.	407 mm
ra max.	2,5 mm
Weight	52 Kg
Basic dynamic load rating (C)	1460 kN
Basic static load rating (C0)	3400 kN
(Grease) Lubrication Speed	300 r/min
hidYobi	RS-4960E4
LangID	1
D_	420
B_	118
hidTable	ecat_NSCLDRS
Oil rpm	300
mass	52
GRS rpm	600
ra	2.5



## BEARING CORP.OF CANADA LTD.

da_min	313
C0	3400
DE_	386.5
Prod_Type3	CRB_FRFS_OT_FIX
DA_	28
Z_	40
yobi	RS-4960E4
da_max	407
SDM_	358.5
r	3
KBRG	4220
disp	7
DI_	330.5
doh	9