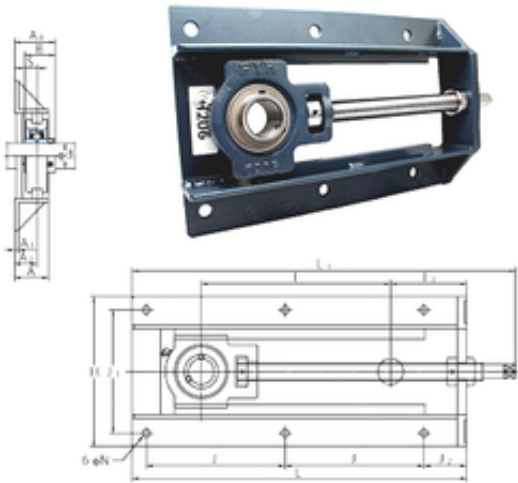




BEARING CORP.OF CANADA LTD.

FYH UCTH209-300 Bearing units

Bearing No. UCTH209-300



UCTH209-300 Bearing 2D drawings and 3D CAD models

Bore Diameter	45 mm
Width	118 mm
d	45 mm
A0	65,2 mm
T1	118 mm
A	50 mm
A1	6 mm
B	49,2 mm
H	234 mm
J	217 mm
L	523 mm
L1	598 mm
N	12 mm
S	19 mm
T	297 mm
Bolt (G)	M10
A2	35 mm
J1	192 mm
J2	67 mm
Weight	12,4 Kg
Basic dynamic load rating (C)	34,1 kN
Basic static load rating (C0)	21,3 kN