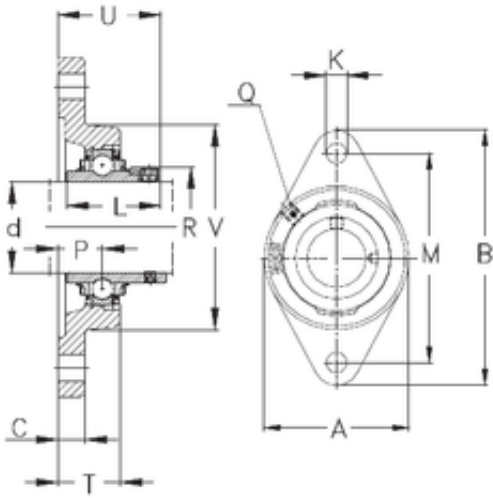




# BEARING CORP.OF CANADA LTD.

## NKE RCJTY65 Bearing units

Bearing No. RCJTY65



RCJTY65 Bearing 2D drawings and 3D CAD models

Bore Diameter	65 mm
d	65 mm
P	38 mm
V	160 mm
U	82,4 mm
K	21 mm
A	160 mm
B	258 mm
C	18 mm
L	74,6 mm
M	216 mm
T	57 mm
Thread (G)	R1/8 "