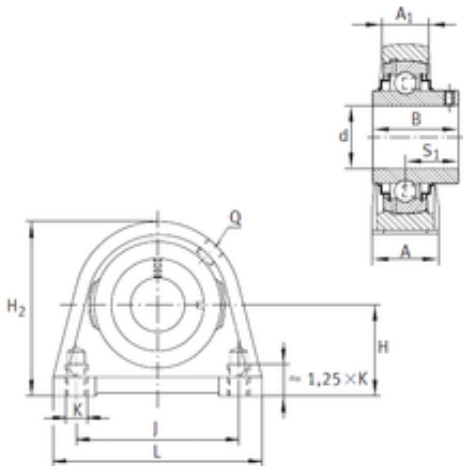




BEARING CORP.OF CANADA LTD.

INA RSHEY55 Bearing units

Bearing No. RSHEY55



RSHEY55 Bearing 2D drawings and 3D CAD models

Bore Diameter	55 mm
d	55 mm
Thread (Q)	Rp1/8
Thread (K)	M16
A	60 mm
A1	35 mm
B	55,6 mm
H	64 mm
H2	125 mm
J	118 mm
L	150 mm
S	33,4 mm
Weight	3,29 Kg
Basic dynamic load rating (C)	43,5 kN
Category	Pillow Block Bearings
Inventory	0.0
Manufacturer Name	SCHAEFFLER GROUP
Minimum Buy Quantity	N/A
Weight / Kilogram	4.455
Product Group	M06110
Number of Mounting Holes	2
Mounting Method	Set Screw
Housing Style	2 Bolt Tap Base Pillow Block
Rolling Element	Ball Bearing
Housing Material	Cast Iron
Expansion / Non-expansion	Non-expansion



BEARING CORP.OF CANADA LTD.

Mounting Bolts	16 Millimeter
Relubricatable	Yes
Insert Part Number	GYE55KRRB
Seals	Double Land Riding Rubber Contact
Housing Configuration	1 Piece Solid
Inch - Metric	Metric
Other Features	Single Row With Grub Screw
Long Description	2 Bolt Tap Base Pillow Block; 55MM Bore; 63.5MM Base to Center Height; Set Screw Mount; Ball Bearing; Relubricatable; Cast Iron; Double Land Riding Rubber Contact; Non-expansion
Category	Pillow Block
UNSPSC	31171511
Harmonized Tariff Code	8483.20.40.40
Noun	Bearing
Keyword String	Pillow Block
Manufacturer URL	http://www.ina.com
Manufacturer Item Number	RSHEY55
Weight / LBS	7.253
Actual Bolt Center to Center	4.6 Inch 117.5Millimeter
Base to Center Height	2.5 Inch 63.5 Millimeter
Bore	2.165 Inch 55 Millimeter
Nominal Bolt Center to Center	4.6 Inch 118 Millimeter
Bolt Spacing Minimum	0 Inch 0Millimeter
Bolt Spacing Maximum	0 Inch 0Millimeter
Length Thru Bore	2.189 Inch 55.6 Millimeter