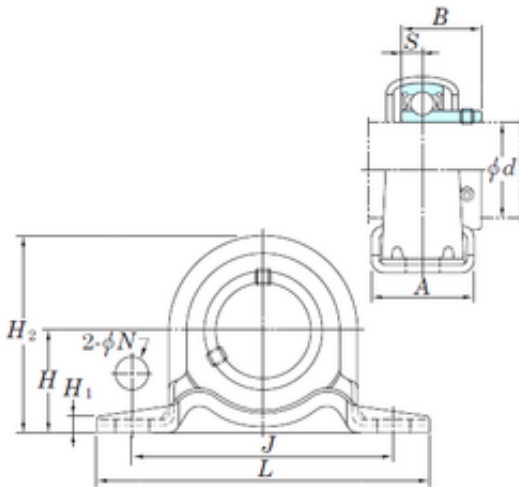




BEARING CORP.OF CANADA LTD.

KOYO SBPP202-10 Bearing units

Bearing No. SBPP202-10



SBPP202-10 Bearing 2D drawings and 3D CAD models

| | |
|-------------------------------|-----------|
| Bore Diameter | 15,875 mm |
| Width | 22 mm |
| d | 15,875 mm |
| A | 25 mm |
| B | 22 mm |
| H | 22,2 mm |
| H1 | 3,2 mm |
| H2 | 43,8 mm |
| J | 68 mm |
| L | 86 mm |
| N | 9,5 mm |
| S | 6 mm |
| Bolt (G) | M8 |
| Weight | 0,16 Kg |
| Basic dynamic load rating (C) | 9,55 kN |
| Basic static load rating (C0) | 4,8 kN |
| Category | Bearings |
| Inventory | 0.0 |
| Manufacturer Name | KOYO |
| Minimum Buy Quantity | N/A |
| Weight / Kilogram | 0 |
| Product Group | M06110 |