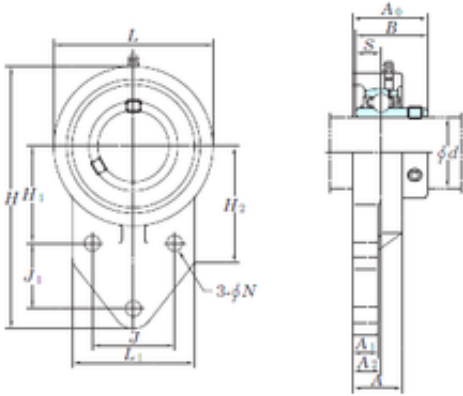




BEARING CORP.OF CANADA LTD.

KOYO UCFB205-15 Bearing units

Bearing No. UCFB205-15



UCFB205-15 Bearing 2D drawings and 3D CAD models

| | |
|-------------------------------|------------|
| Bore Diameter | 23,8125 mm |
| d | 23,8125 mm |
| A0 | 34,8 mm |
| A | 26 mm |
| A1 | 13 mm |
| B | 34,1 mm |
| H | 116 mm |
| H1 | 45 mm |
| H2 | 52 mm |
| J | 34 mm |
| L | 68 mm |
| L1 | 56 mm |
| N | 9,5 mm |
| S | 14,3 mm |
| Bolt (G) | M8 |
| A2 | 15 mm |
| J1 | 27 mm |
| Weight | 0,68 Kg |
| Basic dynamic load rating (C) | 14 kN |
| Basic static load rating (C0) | 7,85 kN |