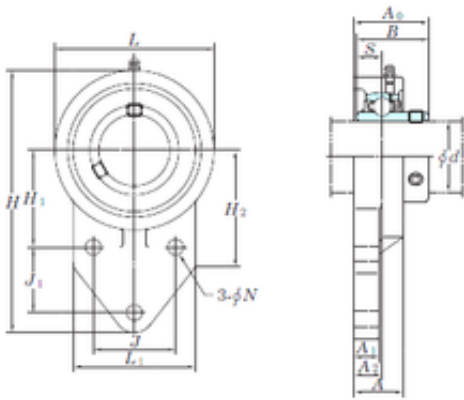




BEARING CORP.OF CANADA LTD.

KOYO UCFB208-25 Bearing units



Bearing No. UCFB208-25

Bore Diameter	39,6875 mm
d	39,6875 mm
A0	50,2 mm
A	34 mm
A1	16 mm
B	49,2 mm
H	164 mm
H1	60 mm
H2	72 mm
J	50 mm
L	100 mm
L1	78 mm
N	11 mm
S	19 mm
Bolt (G)	M10
A2	20 mm
J1	41 mm
Weight	1,8 Kg
Basic dynamic load rating (C)	29,1 kN
Basic static load rating (C0)	17,8 kN

UCFB208-25 Bearing 2D drawings and 3D CAD models