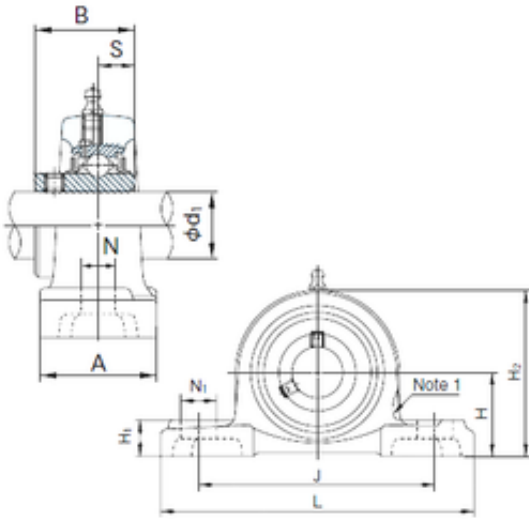




BEARING CORP.OF CANADA LTD.



UCPX15 Bearing 2D drawings and 3D CAD models

NACHI UCPX15 Bearing units

Bearing No. UCPX15

Bore Diameter	75 mm
Width	82.6 mm
d	75 mm
A	89 mm
B	82.6 mm
H	88.9 mm
H1	35 mm
H2	177 mm
J	229 mm
L	330 mm
N	27 mm
N1	51 mm
S	33.3 mm
Bolt (G)	M22
Category	Bearings
Inventory	0.0
Manufacturer Name	NACHI
Minimum Buy Quantity	N/A
Weight / Kilogram	0
Product Group	M06110