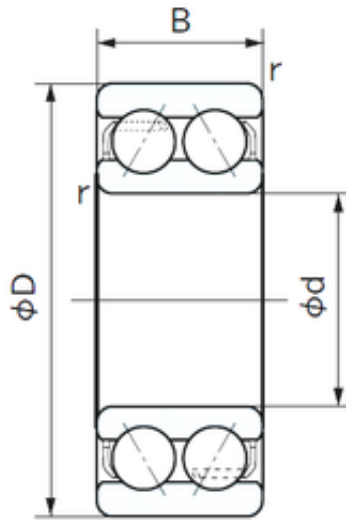




# BEARING CORP.OF CANADA LTD.



## 90 mm x 160 mm x 52.4 mm NACHI 5218A Angular contact ball bearings

Bearing No. 5218A

5218A Bearing 2D drawings and 3D CAD models

Size	90x160x52.4 mm
Bore Diameter	90 mm
Outer Diameter	160 mm
Width	52.4 mm
d	90 mm
D	160 mm
B	52.4 mm
C	52.4 mm
Angle ( ° )	20 °
r min.	2 mm
Weight	4.28 Kg
Basic dynamic load rating (C)	129 kN
Basic static load rating (C0)	125 kN
(Grease) Lubrication Speed	2500 r/min
Enclosure	Open
Configuration	Double Row
Bore Type	Cylindrical Bore
Bore Size	85 mm
Outside Diameter	160 mm
Width	52.4 mm
Fillet Radius/Chamfer	2 mm
Dynamic Load Rating	129,000 N
Static Load Rating	125,000 N
Limiting Speed - Grease	2,500 rpm
Limiting Speed - Oil	3,500 rpm



## BEARING CORP.OF CANADA LTD.

Radial Clearance	0.012 to 0.036 mm
da	100 mm150 mm
Dx	172 mm
ra	2 mm
Cy	7.4 mm