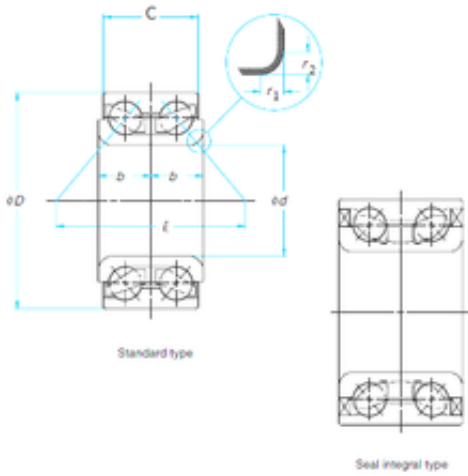




BEARING CORP.OF CANADA LTD.

42 mm x 84 mm x 34 mm ISO DAC42840034
Angular contact ball bearings



Bearing No. DAC42840034

Size	42x84x34 mm
Bore Diameter	42 mm
Outer Diameter	84 mm
Width	34 mm
d	42 mm
D	84 mm
B	34 mm
C	34 mm

DAC42840034 Bearing 2D drawings and 3D CAD models